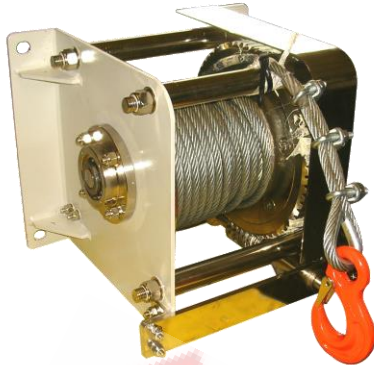


## SPARK-PROOF MANUAL “WORM GEAR” WIRE WINCHES FMSX



The **FMLX** manual “worm gear” wire rope winches is the best as versatility and features matching requirements of hazardous areas

---

### **High performance equipment**

- capacity up to 3T with one rope
- steel body
- high quality worm screw
- cast iron machined worm wheel
- bronze brake wheel
- high quality finish

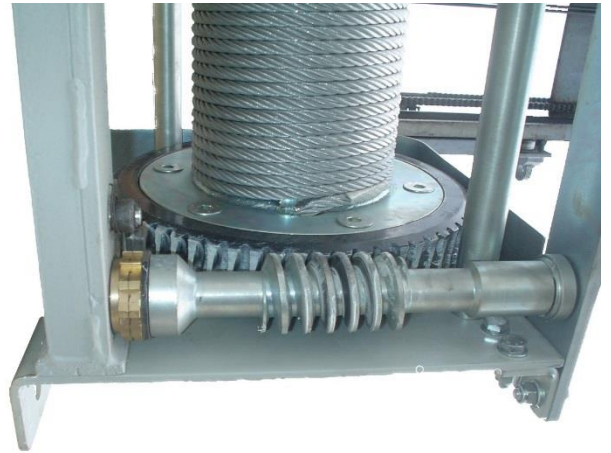
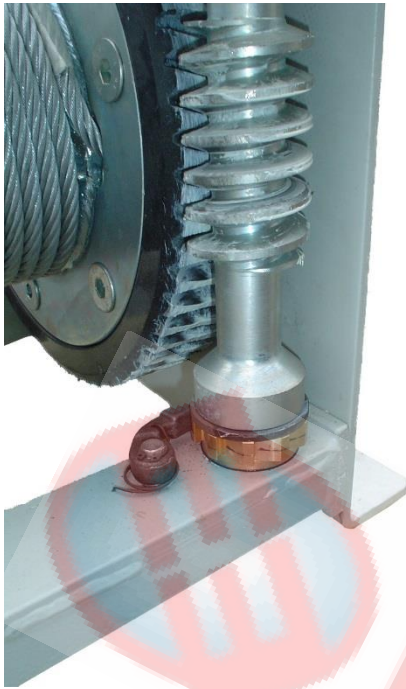
---

### **On request**

- stainless steel wire rope and accessories
- stainless steel AISI 316 hook and hook block
- stainless ball bearings
- stainless steel frame for HT version



# SPARK-PROOF MANUAL "WORM GEAR" WIRE WINCHES FMSX



## WIRE ROPE

Special ELBE wire rope of high strength, galvanized.  
Stainless steel rope is available as well, on request

## DRIVE

The unit assembly consists in a epicycloidal gear driving the drum

## HOOK BLOCK

Winches up to 5000KG are supplied with single rope in order to improve the ergonomic handling of the hook

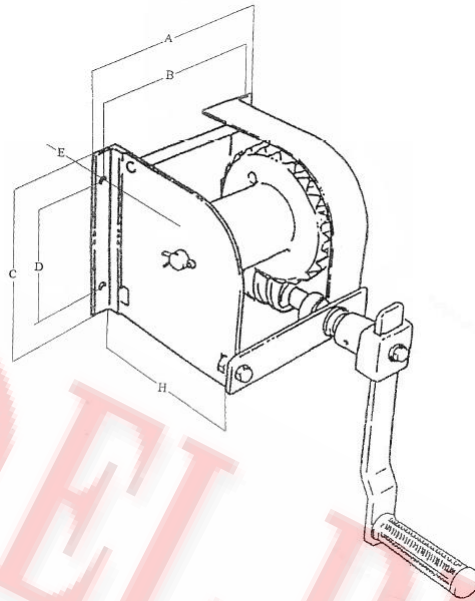
## DRUM

The drum diameter is according to the rope in order to get long life of the same. The wire rope is blocked to the drum by apposite clamps

## BRAKE

The brake consists in 4 quadruple-start thread shaft wich controls the axial moving of the flange closing the fiber discs when toothed bronze wheel is acted by the dropping load

# SPARK-PROOF MANUAL "WORM GEAR" WIRE WINCHES FMSX



CAPACITY		TYPE	FALLS	ROPE DIAM	HAND EFFORT	MAX ROPE	A	B	C	D	E	H	Weight no rope
Lifting	Pull 0° tilt												
Kg	Kg												
1000	4000	FMSX010	1	8	13	35	428	370	400	340	22	382	25
1500	5000	FMSX015	1	9	14	27	428	370	400	340	22	382	30
2000	10000	FMSX020	1	10	22	25	428	370	400	340	22	382	30
3000	15000	FMSX030	1	12	27	25	482	420	450	390	26	418	40